

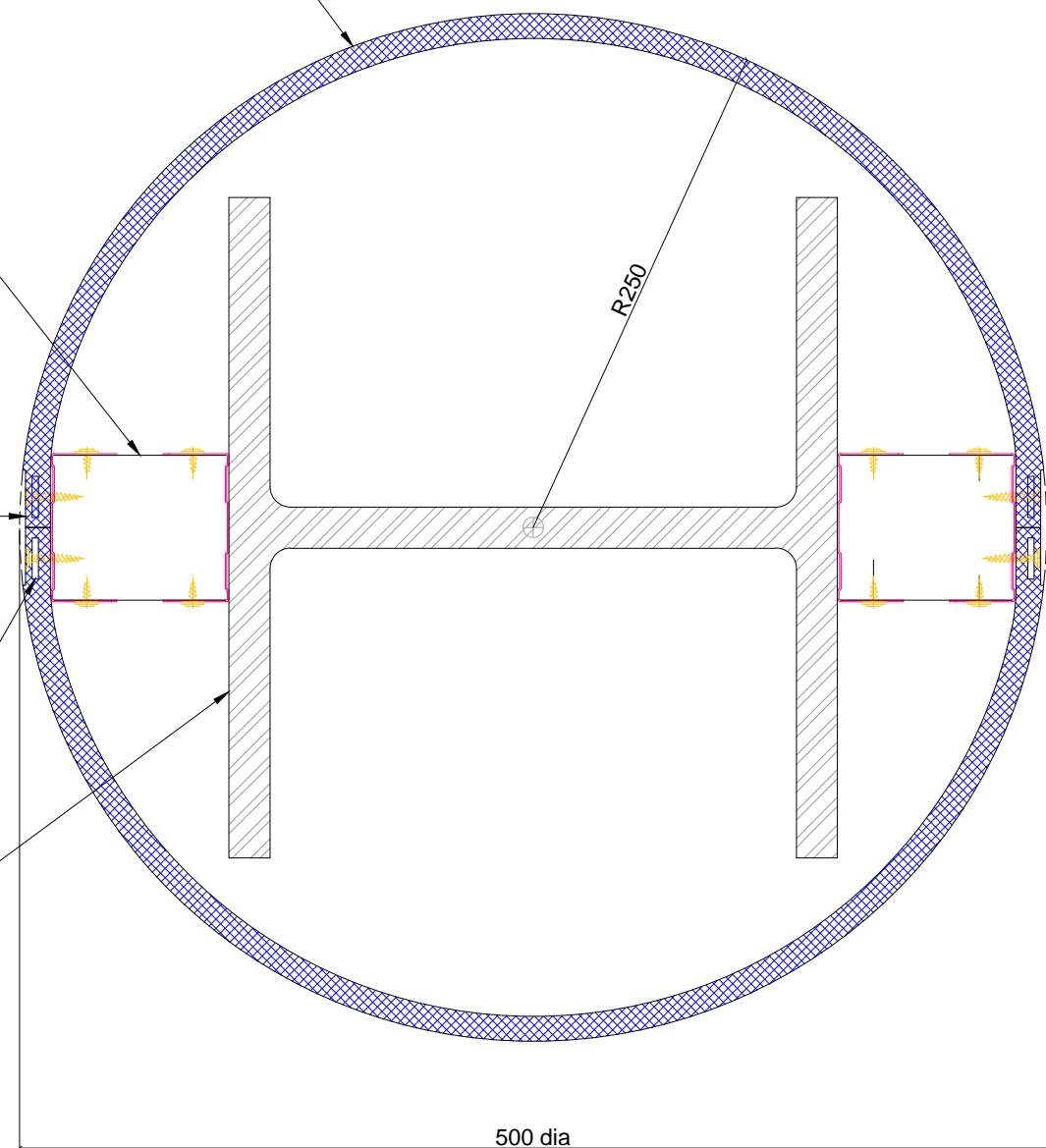
500mm diameter GRG column encasement  
screwed to galvanised steel framework.  
Casts manufactured in two halves and  
joints made-good on site

Metal stud framework to  
suit structural and site  
requirements

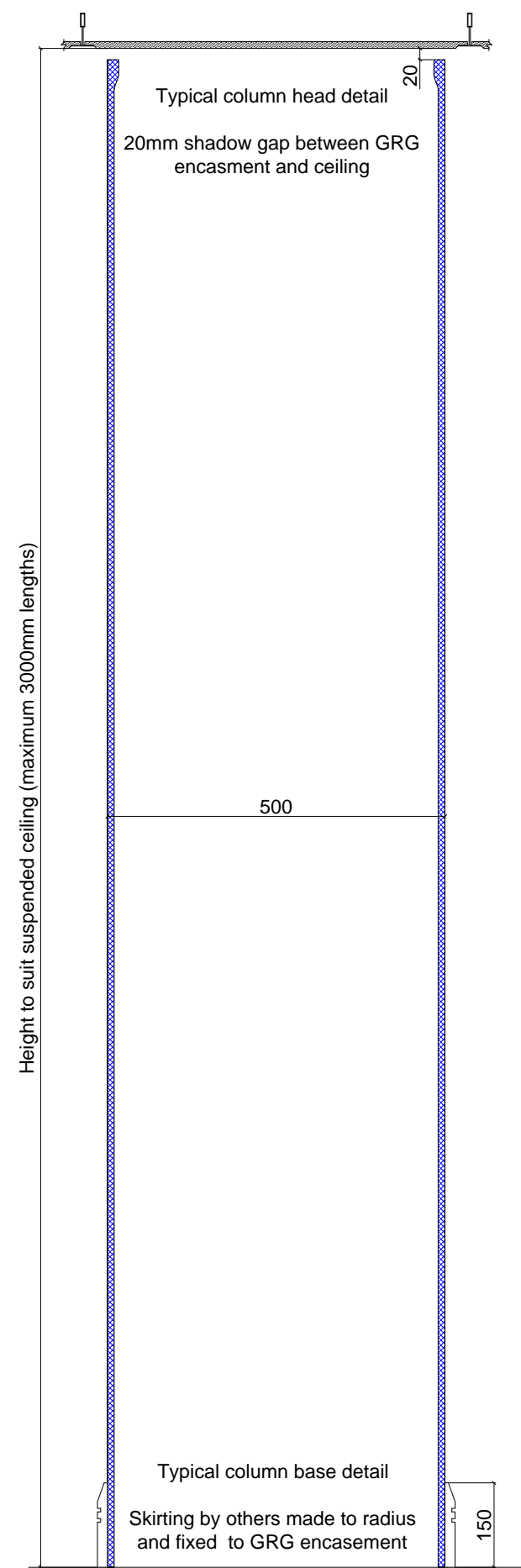
3mm x 28mm rebates  
taped and jointed with  
50mm flexi-mesh tape  
and filled with fine  
casting plaster

Treated softwood timber  
lath 3mm x 20mm. Screw  
fixing through lath

Steel column



Typical GRG column encasement plan & elevation



Not To Scale

NOTES :-  
Maximum manufacture height is 3000mm.  
  
Column casings are made in two halves and can be stacked to  
achieve heights above 3000mm.  
  
Sizes from 200mm-1000mm in diameter.  
  
Flexible design options for head and base details - refer to  
drawing DVC-D02.

**DESIGNVISUAL**  
ARCHITECTURAL FINISHES & INSTALLATIONS

Design & Visual Concepts Ltd  
Holmshaw Business Park  
Layhams Road  
Keston  
Kent  
BR2 6AR  
Tel: 01959 571071 e-mail: info@designandvisual.com  
Fax: 01959 577150 web: www.designandvisual.com

Drawing Title  
**Typical column encasement details**

Scale: NTS	Date Oct 21	Drawn PsJ	Checked	Approved
------------	----------------	--------------	---------	----------

Status  
- **For Approval**

Drawing No.  
**DVC-D01**